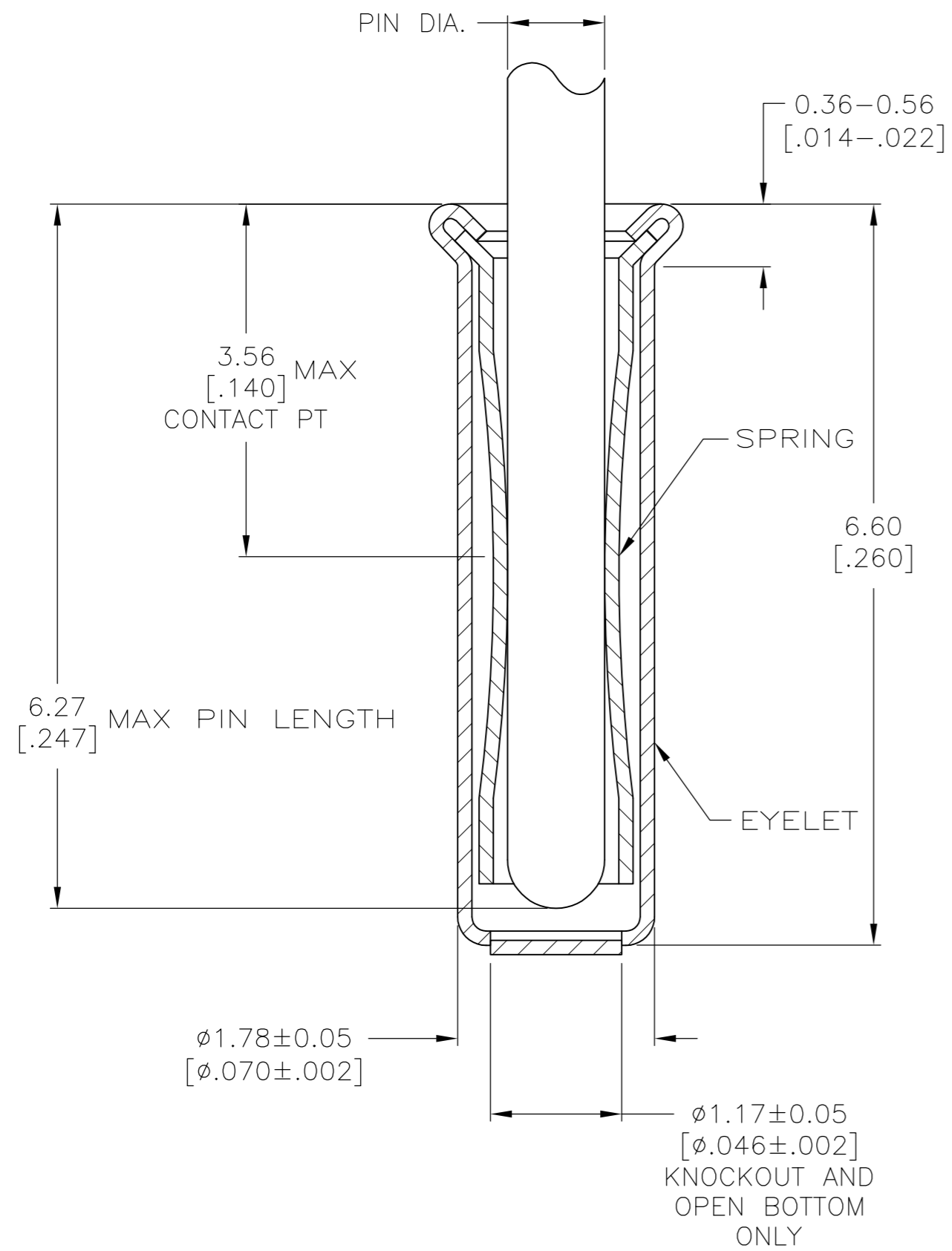
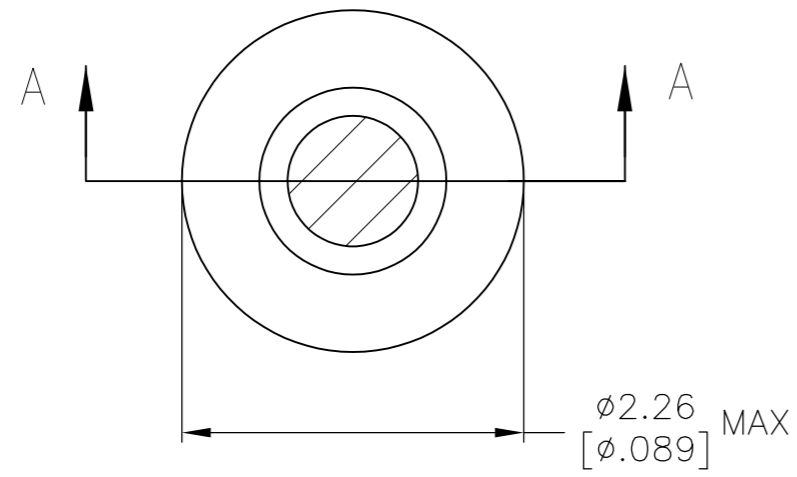


THIS DRAWING IS UNPUBLISHED. RELEASED FOR PUBLICATION
 © COPYRIGHT - By - ALL RIGHTS RESERVED.

LOC		DIST		REVISIONS			
GP	00	P	LTR	DESCRIPTION	DATE	DWN	APVD
		AG3		REVISED PER ECO-11-004835	11MAR11	RK	HMR



1. TIN PER MIL-T-10727 OR TIN LEAD .000254 [.000100] MIN THK.
2. NICKEL UNDERPLATE ALL OVER, MATING SURFACE PLATED TO MEET PERFORMANCE REQUIREMENTS OF TE CONNECTIVITY PRODUCT SPECIFICATION 108-14008.
3. GOLD FLASH PER MIL-G-45204, TYPE II, $0.13\mu\text{m}$ [.000005] MIN THK. OVER NICKEL PLATE PER QQ-N-290 $0.51\mu\text{m}$ - $1.52\mu\text{m}$ [.000020-.000060] EXT THK.
4. GOLD PER MIL-G-45204, TYPE II, 0.00127 [.000050] MIN THK OVER NICKEL PLATE PER QQ-N-290. 0.00127 [.000050] MIN EXT THK
5. RECOMMENDED HOLE SIZE, PLATED OR UNPLATED:
 MACHINE INSERTION: $1.83 \begin{matrix} +0.10 \\ -0.08 \end{matrix}$ [$.072 \begin{matrix} +.004 \\ -.003 \end{matrix}$]
 HAND INSERTION: $1.83 \begin{matrix} +0.10 \\ -0.00 \end{matrix}$ [$.072 \begin{matrix} +.004 \\ -.000 \end{matrix}$]
6. APPLICATION TOOL PART NUMBER:
 MACHINE NO. 682127-5
 INSERTION HEAD NO. 682039-4
7. TO INSURE PROPER SPRING TENSION DO NOT EXCEED A 0.05 [.002] DIFFERENCE IN PIN DIA WHEN CHANGING TO A SMALLER PIN.
8. BOTTOM PLUG KNOCKOUT TOOL PART NUMBER 69729 WITH TIP PART NUMBER 69728-2.
9. TIN PER ASTM B 545, .000254 [.000100] MIN THK.
10. MATERIAL: SPRING: BERYLLIUM COPPER QQ-C-533
 EYELET: COPPER, QQ-C-576
11. GOLD PER MIL-G-45204 TYPE II, 0.00076 [.000030] MIN THK OVER NICKEL PLATE PER QQ-N-290 0.00127 [.000050] MIN THK OF CONTACT AREA.

	KNOCKOUT		TIN 9	TIN 9	6-50865-7
	OPEN		GOLD 4	GOLD 11	6-50865-6
			GOLD 4	GOLD 2	1-50865-2
					1-50865-1
SUPSD BY 50865-5					1-50865-0
OBSOLETE	CLOSED	0.86-1.04 [.034-.041]	TIN 1	TIN 1	50865-8
OBSOLETE	KNOCKOUT				50865-7
	OPEN				50865-6
	CLOSED				50865-5
OBSOLETE	OPEN		GOLD 3	GOLD 2	50865-4
OBSOLETE			TIN 1		50865-3
	KNOCKOUT		GOLD 3		50865-2
OBSOLETE			TIN 1		50865-1
	CLOSED		GOLD 3		50865
NOTES	BOTTOM TYPE	RECOMMENDED PIN DIA. 7	EYELET	SPRING	PART NO

SECTION A-A

THIS DRAWING IS A CONTROLLED DOCUMENT. DWN R. TALLEY 4-5-91
 CHK -
 APVD -
 PRODUCT SPEC -
 APPLICATION SPEC -
 WEIGHT -
 CUSTOMER DRAWING

STE TE Connectivity
 MINIATURE SPRING SOCKET ASSEMBLY
 SERIES 4

SIZE A2 CAGE CODE 00779 DRAWING NO C=50865 RESTRICTED TO -
 SCALE 1:1 SHEET 1 OF 1 REV AG3